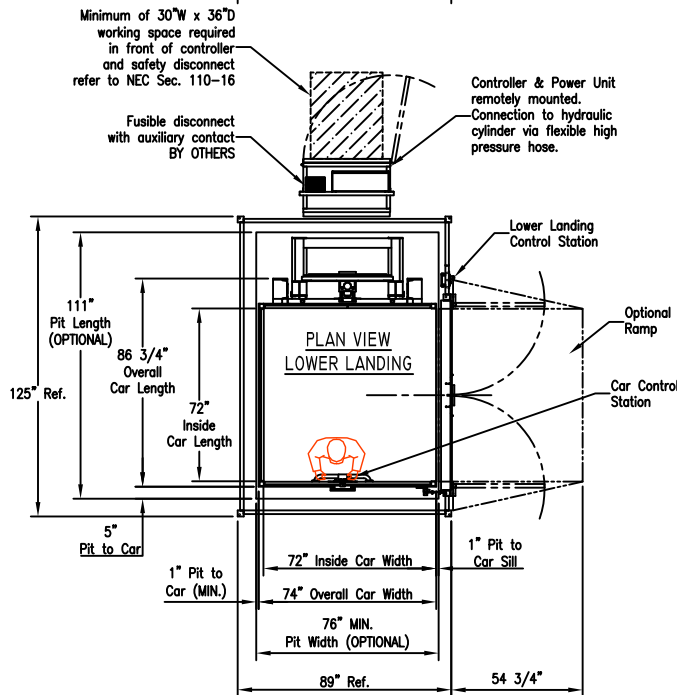
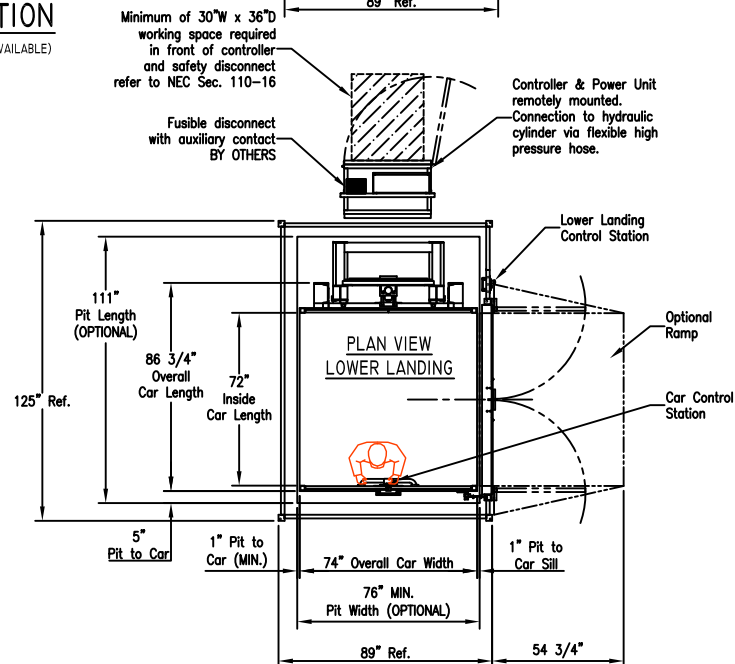
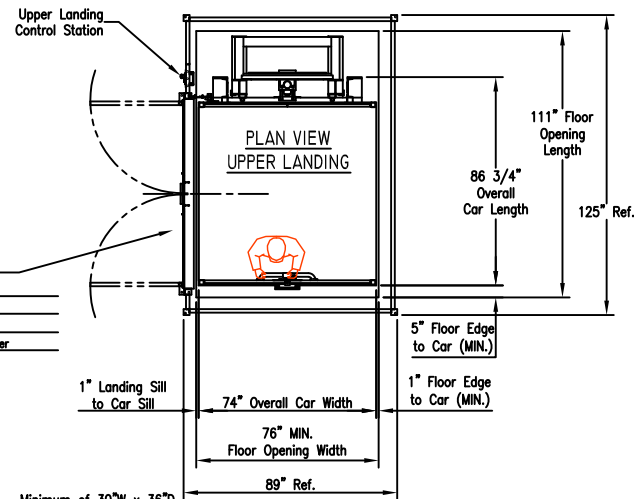


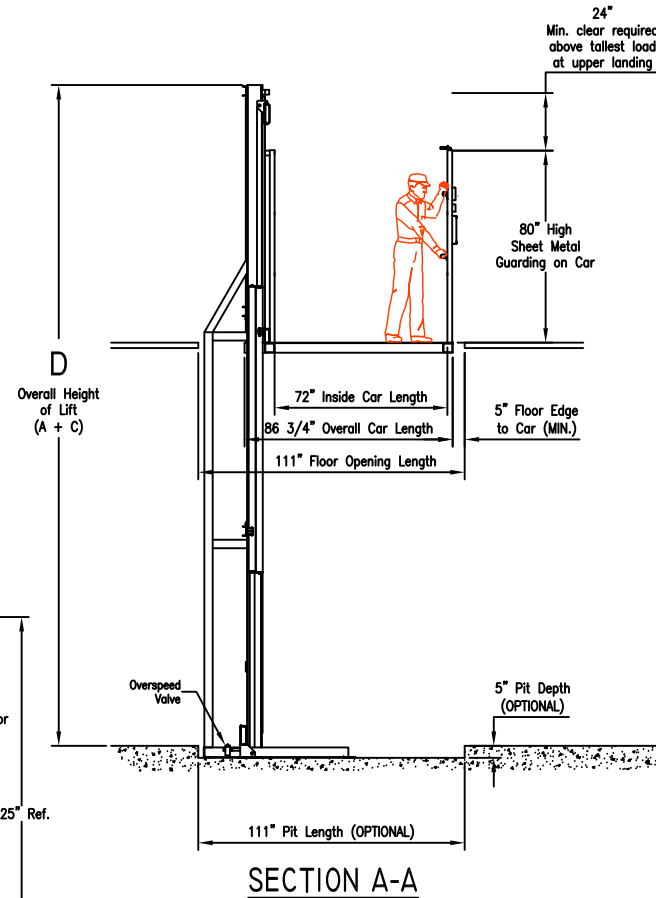
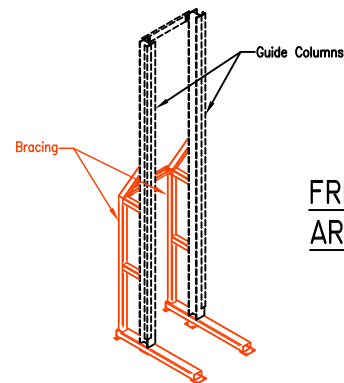
'C' LOAD CONFIGURATION
 (LOAD/UNLOAD FROM L.H. SIDE AVAILABLE)



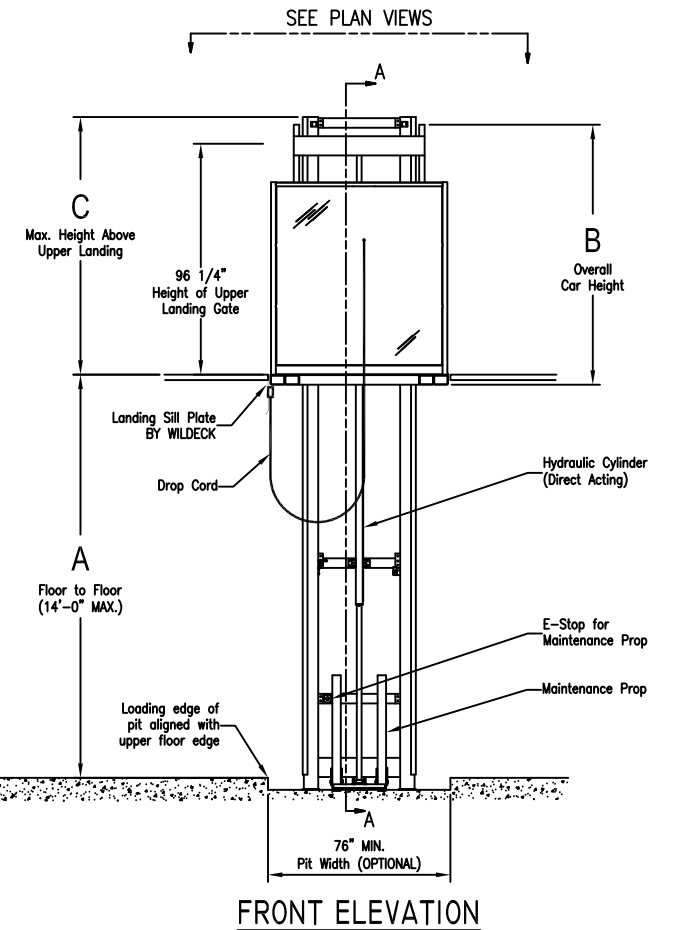
'Z' LOAD CONFIGURATION
 (OPPOSITE LOAD PATTERN AVAILABLE)



TYPICAL FREESTANDING ARRANGEMENT



SECTION A-A



FRONT ELEVATION

DIMENSIONS

Proper installation and satisfactory operation of a WILDECK material lift requires accurate site dimensions. The required dimensions are listed in the following chart.

- A Vertical Rise.....
- Overall Car Height
- B A ≤ 120" then B = 84"
- A > 120" then B = 108".....
- Overall Height Above Upper Level
- C A ≤ 120" then C = 96 1/4"
- A > 120" then C = 108".....
- D Overall Height of Material Lift.....

NOTES

If pit is not provided, an optional ramp (72"W x 60"L x 5"H) is available.

This material lift is a Type B Hydraulic Material Lift meeting Section 7.6 of ASME A17.1 Safety Code for Elevators and Escalators.

CONCEPTUAL DRAWING per Quote # _____

THIS DRAWING IS CONCEPTUAL ONLY
 Not to be Used for Installation or Construction.

NO.	DATE	DESCRIPTION	BY
WILDECK, INC. 405 COMMERCE ST. WAUKESHA, WI 53186 (800) 325-6939 (262) 549-4000 WILDECK.COM			
HYDRAULIC TYPE B MATERIAL LIFT WITHOUT AUTOMATIC TRANSFER DEVICE			
MODEL NUMBER: RML-2500		DWG No.	REV
DIMENSIONAL INFORMATION		RIDERLIFT_FREE	0

WILDECK, INC. RESERVES PROPRIETARY RIGHTS TO THIS DRAWING AND DATA SHOWN THEREON. SAID DRAWING AND/OR DATA ARE CONFIDENTIAL AND ARE NOT TO BE USED OR REPRODUCED FOR ANY PURPOSE WITHOUT THE WRITTEN CONSENT OF WILDECK, INC.