



KD2™ Series Knock-Down Stair
(3 Rail Design)

Installation Instructions

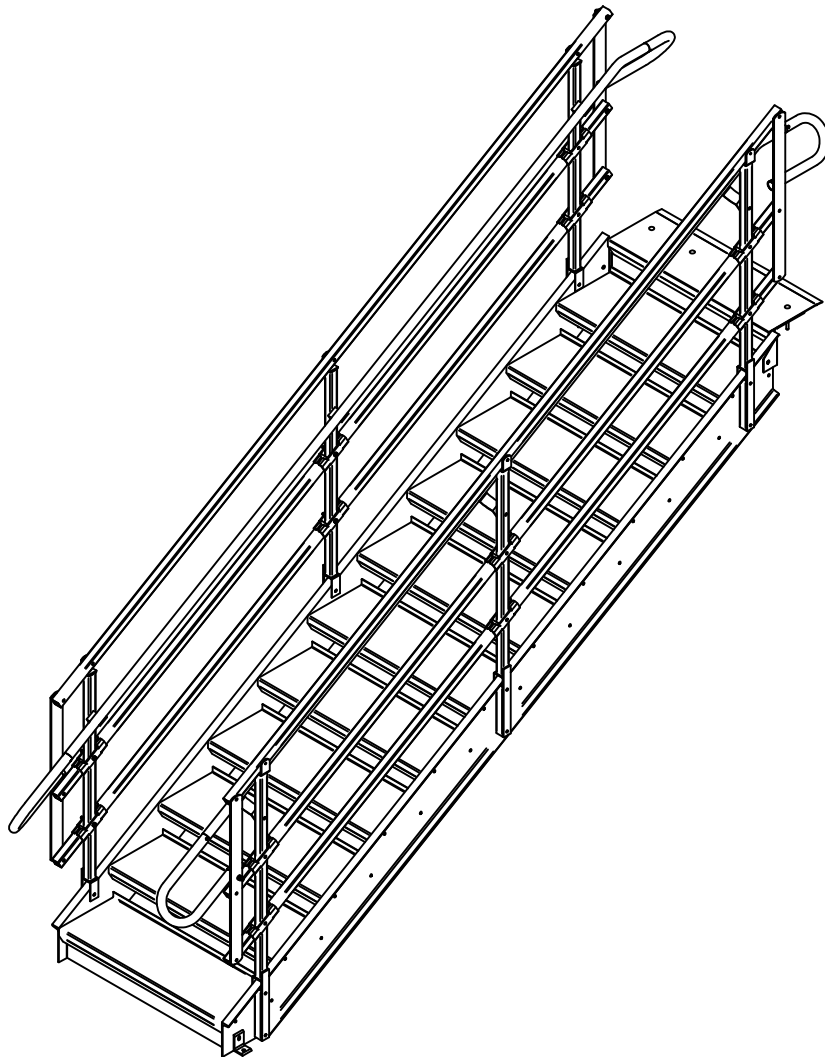


Table of Contents

General Specifications	1
Installation Procedure	2
Anchor Detail	4
Continuous Handrail Detail	12
(for 'U' shaped stairs)	
Component Parts	13
Warranty	14

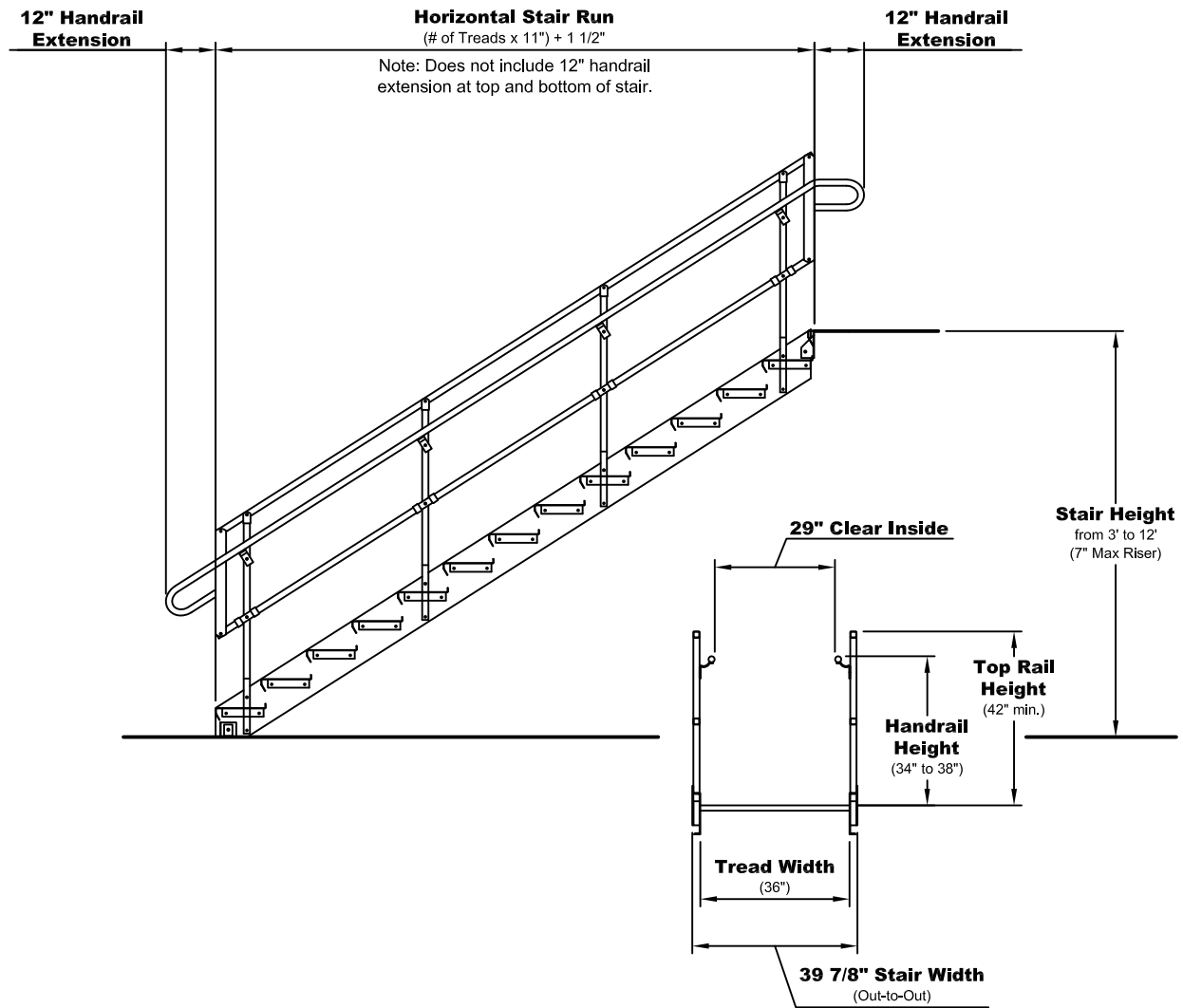
Thank you

We know that in today's competitive marketplace, customers have many choices when purchasing knock-down stairs. We appreciate your choosing Wildeck's high quality KD2™ series knock-down stair and know you have made a wise decision.

Our continued reputation as one of the top manufacturers of industrial products rests with the satisfaction of each and every customer. Wildeck products are *Crafted with Confidence* by employee owners in Waukesha, Wisconsin, USA. Should you have any questions or require installation assistance, please do not hesitate to contact your local Wildeck representative or Wildeck's customer service department at 1-800-325-6939.

Thank you for allowing Wildeck to serve your needs.

General Specifications



Specifications:

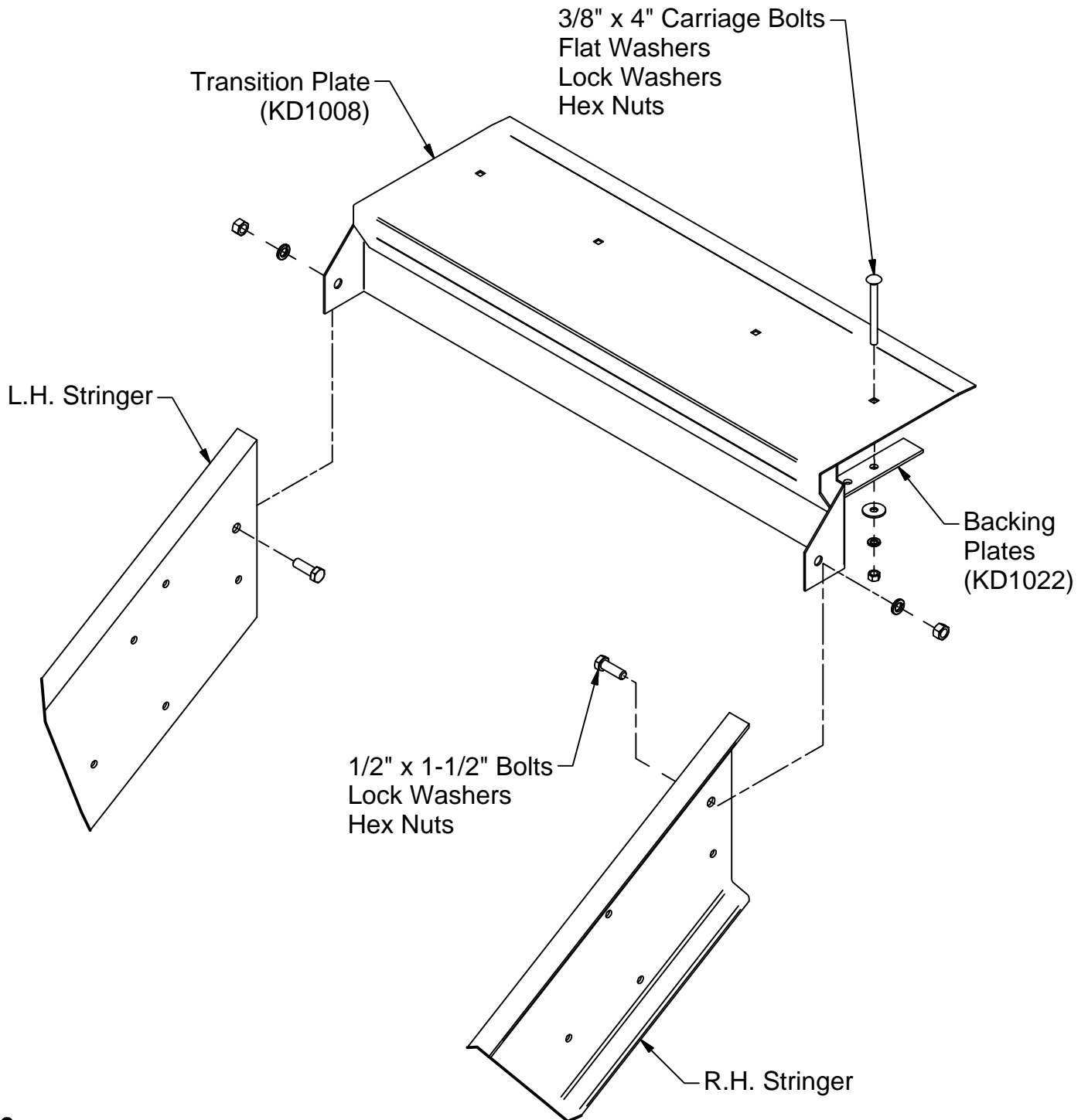
- ▶ Straight, L or U shaped designs with landing(s)
- ▶ IBC code compliance is standard
- ▶ Meets OSHA 1910.24 safety requirements
- ▶ Closed tread with open riser (standard)
- ▶ Closed tread with closed riser available
- ▶ 2-Rail (shown) and 3-Rail designs available

Installation Procedure

1. Secure top transition plate to deck surface with 3/8" carriage bolts.
2. Attach stringers to transition plate with 1/2" hex bolts. The ears of the transition plate must be attached to the outside of stringers.

NOTES

- Install all bolts with the head of the bolts to the inside of the stair.
- Backing plates are provided when anchoring into roof deck.

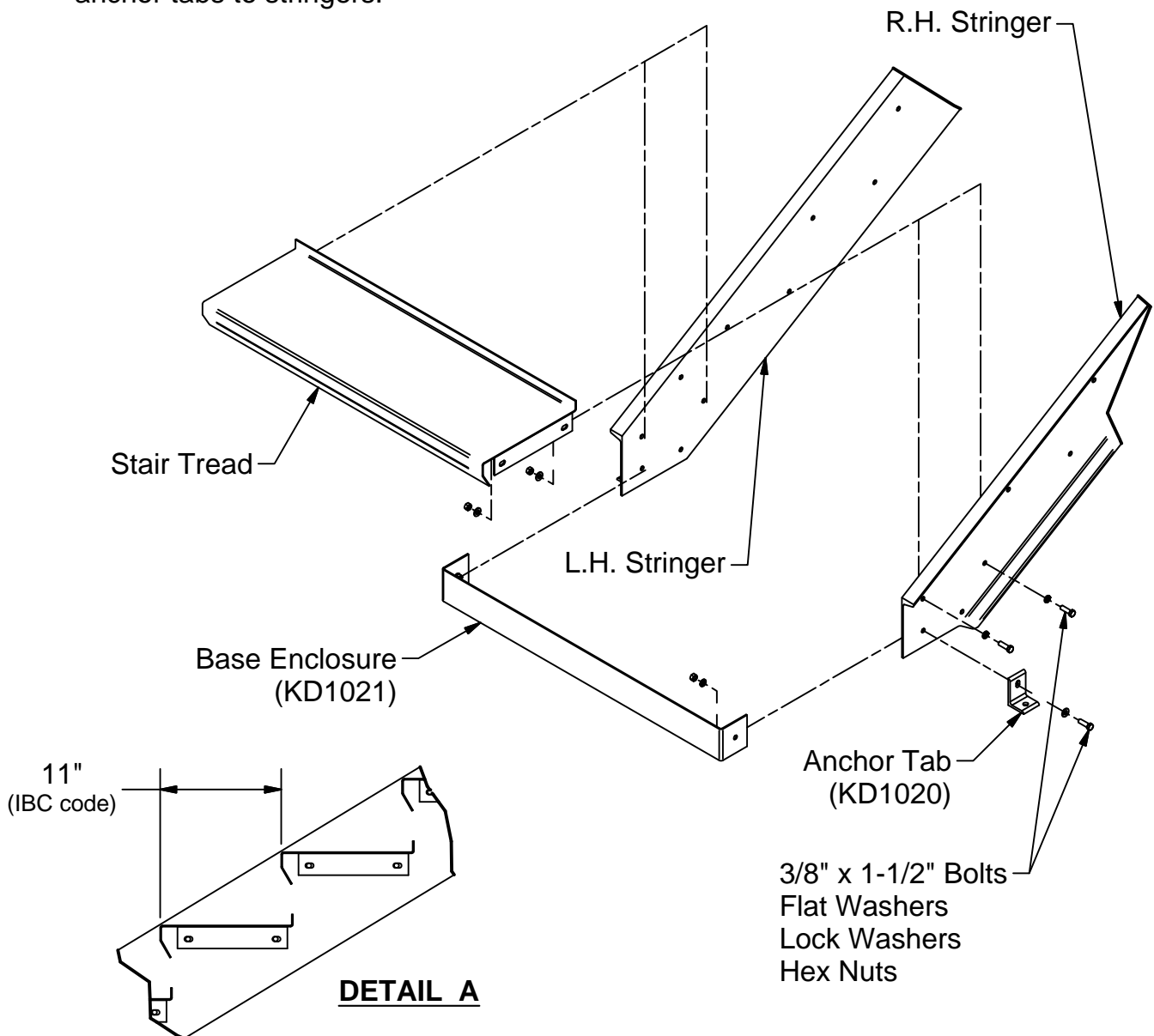


Installation Procedure

3. Attach treads to stringers with 3/8" hex bolts. Start from the bottom and work towards top, see Notes.
4. Before fully tightening bolts, adjust treads so the horizontal distance from nosing to nosing is 11", see Detail A.
5. Attach anchor tabs to outside of stringers with 3/8" hex bolts. Anchor stair to floor with 3/8" anchors after all treads have been properly installed.
6. If a base enclosure has been provided, attach between stringers utilizing bolts securing anchor tabs to stringers.

NOTES

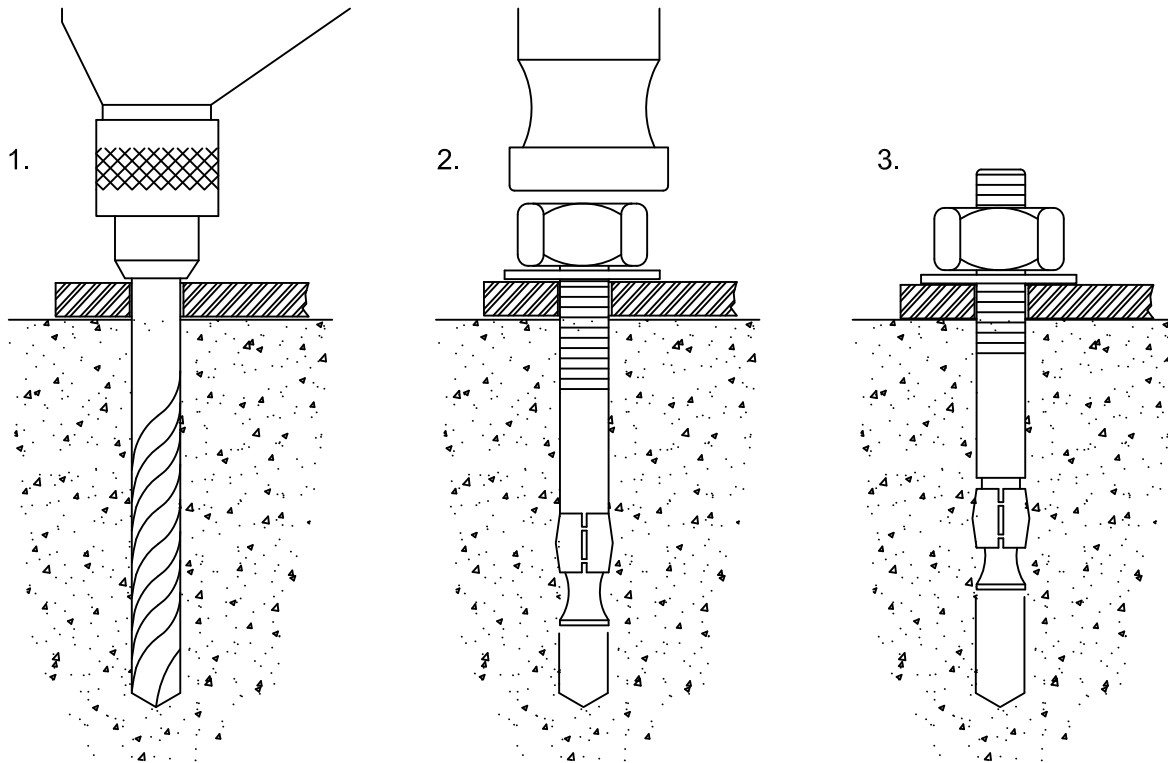
- Only hand tighten bolts for treads until all treads have been properly installed.
- When treads with closed risers are provided, one (1) tread will have an open riser and is to be installed as the last tread at the top of the stair.
- See following page for details when anchoring into concrete.



Installation Procedure

Anchor Detail

(concrete)



Anchor Setting Instructions:

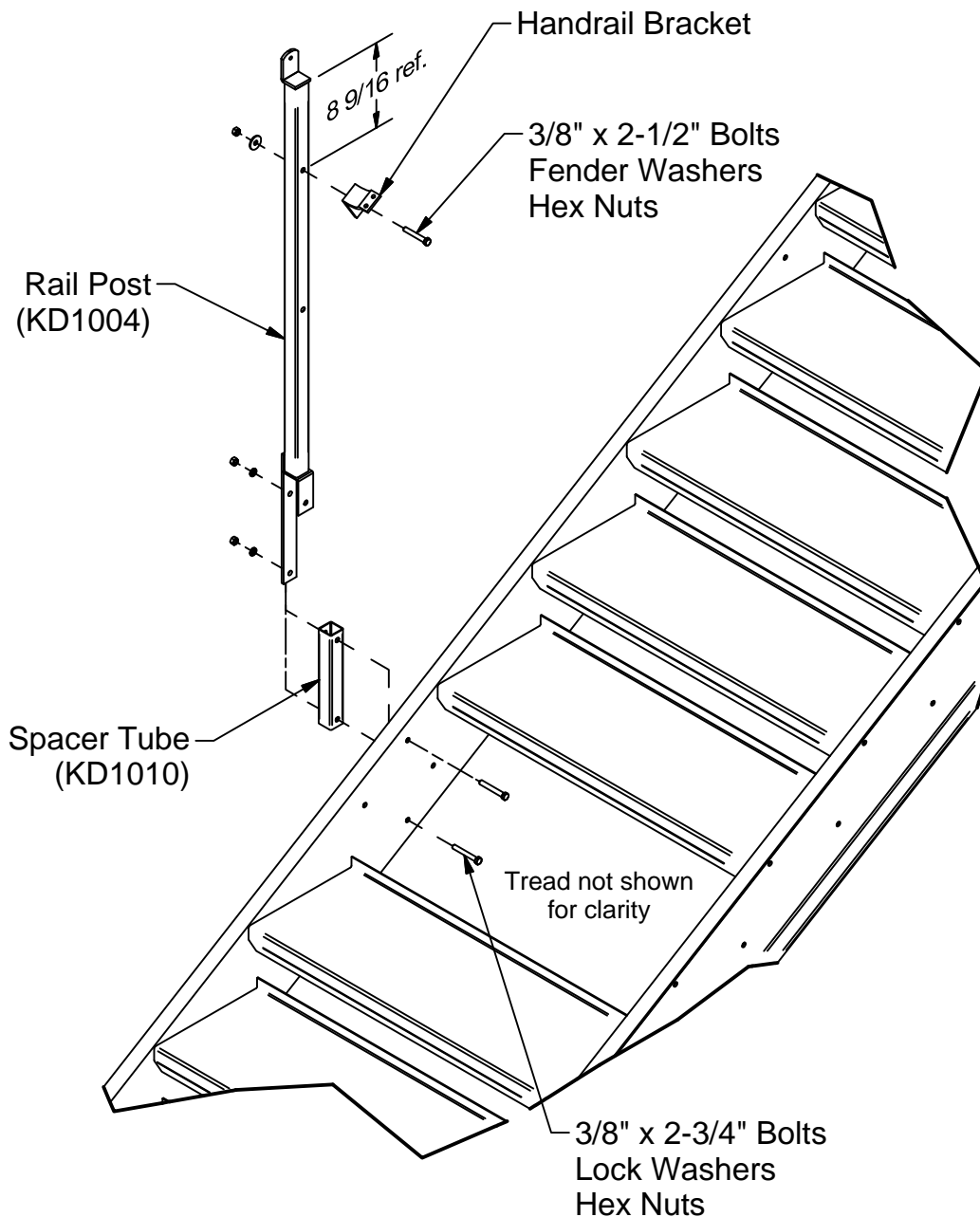
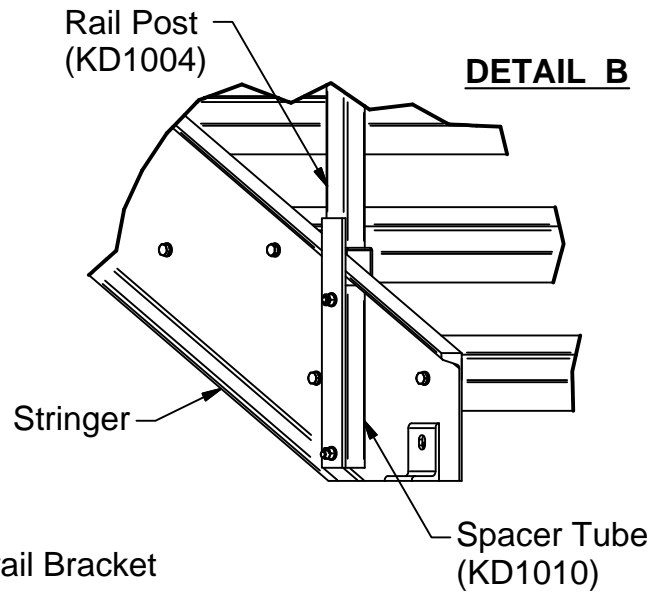
1. Drill $\text{Ø}3/8$ " hole into concrete floor (use carbide drill bit). Drill hole deeper than 2" (min. bolt embedment) then clean hole of debris.
2. Add washer and thread nut flush with top of bolt. Tap bolt into hole through Anchor Tab (KD1020). Make sure nut and washer are flush against tab.
3. Tighten bolt, keep finger tight until installation is complete. Then set bolt by tightening with $9/16$ " wrench to 20 ft-lb.

Installation Procedure

7. Attach rail posts to stringers with 3/8" hex bolts. Place spacer tube between rail post and outside of stair stringer, see Detail B.

NOTE

At this point it maybe advantageous to attach the handrail brackets to the posts. Use 3/8" hex bolts and only hand tighten brackets until after handrail is installed.

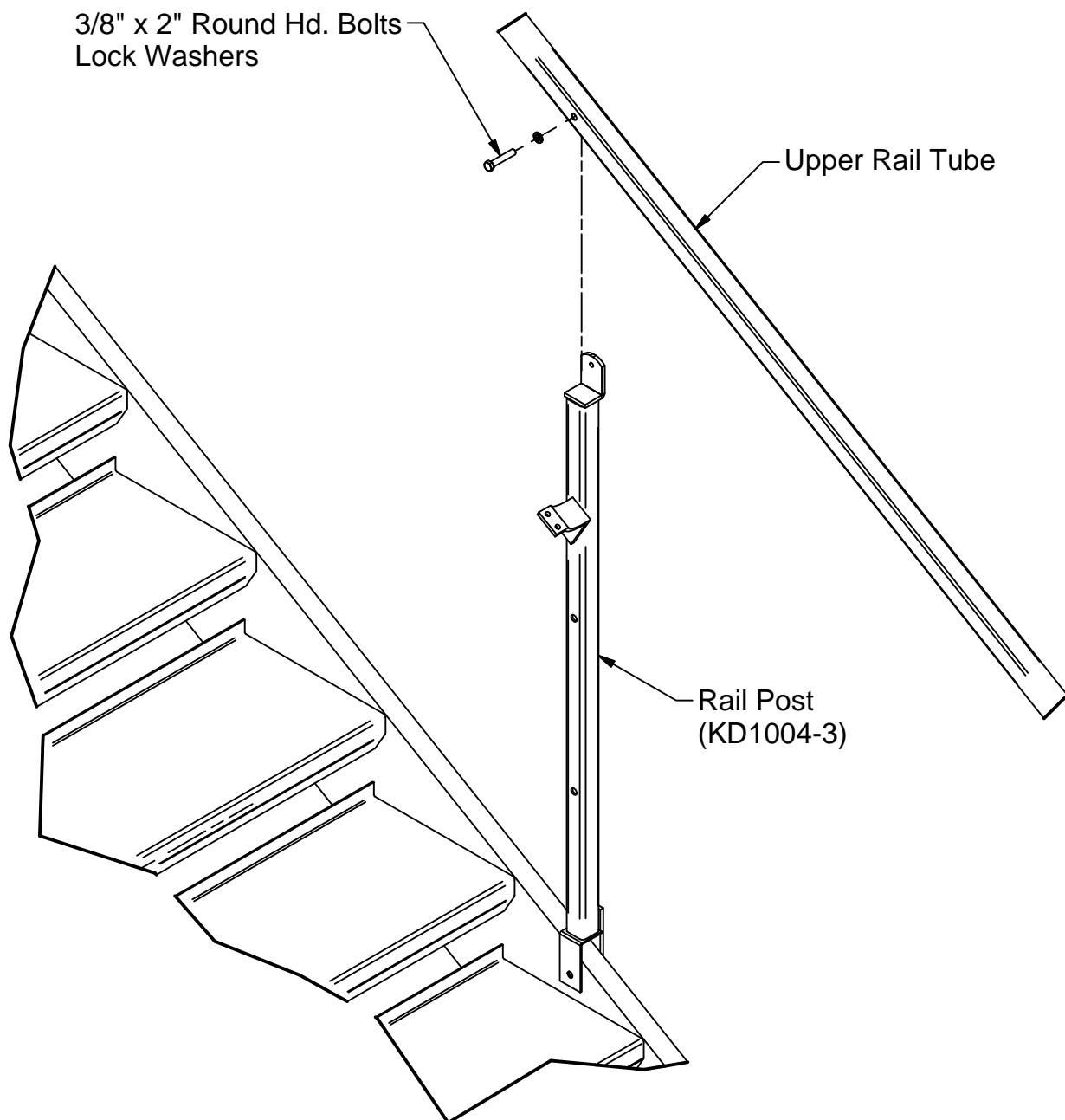


Installation Procedure

8. Before attaching lower guard rails, attach upper guard rail tubes to posts with 3/8" round head bolts.

NOTES

- Ensure posts are plumb before attaching guard rails.
- The rail posts may not be positioned symmetrically along the stringer; pay close attention to the location of the holes in the upper guard rail tubes.

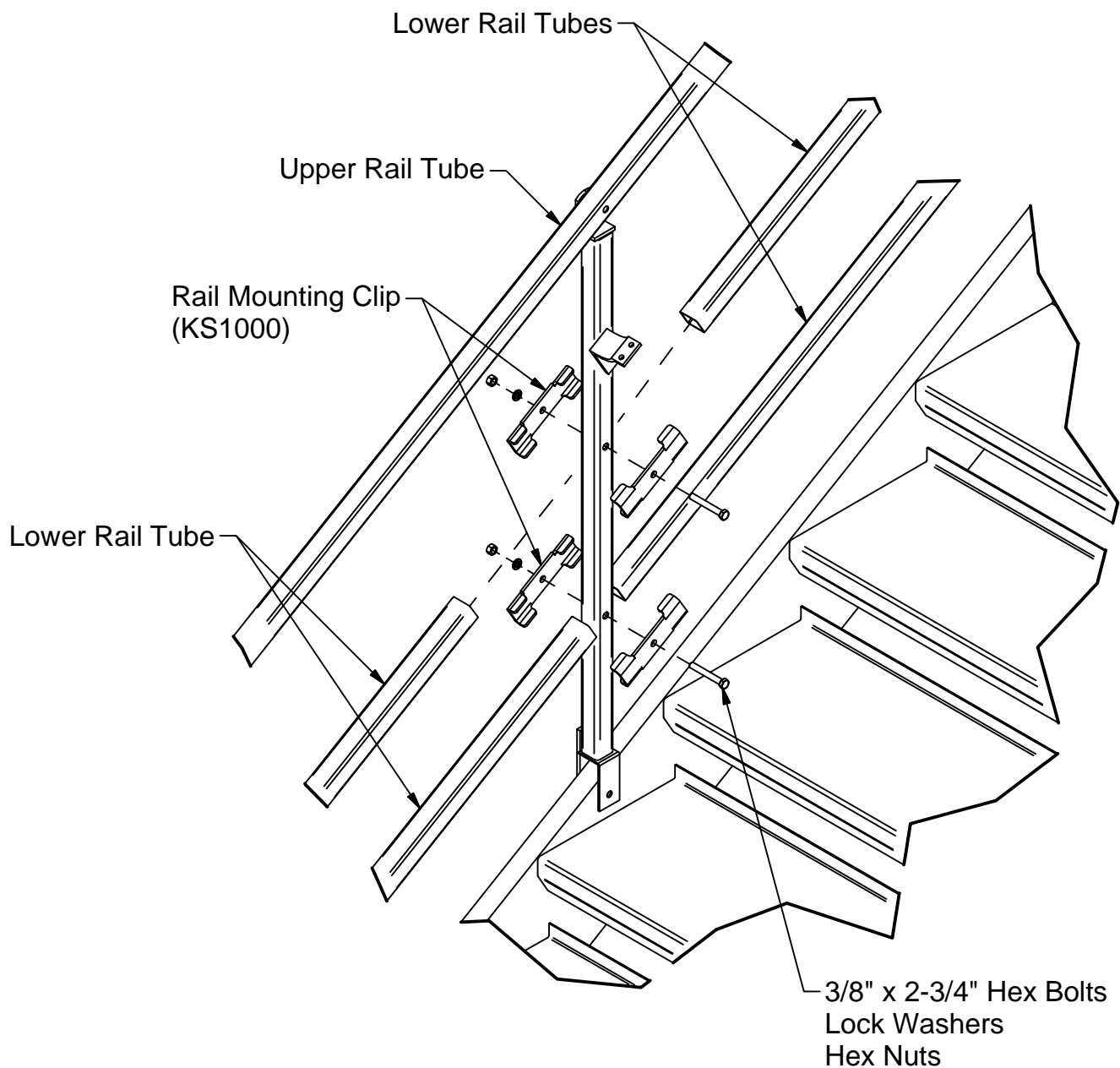


Installation Procedure

9. Clamp lower guard rail tubes to posts with mounting clips and 3/8" hex bolts. Loosely attach clips, one on either side of post, then slide tubes into clips and properly torque bolt.

NOTE

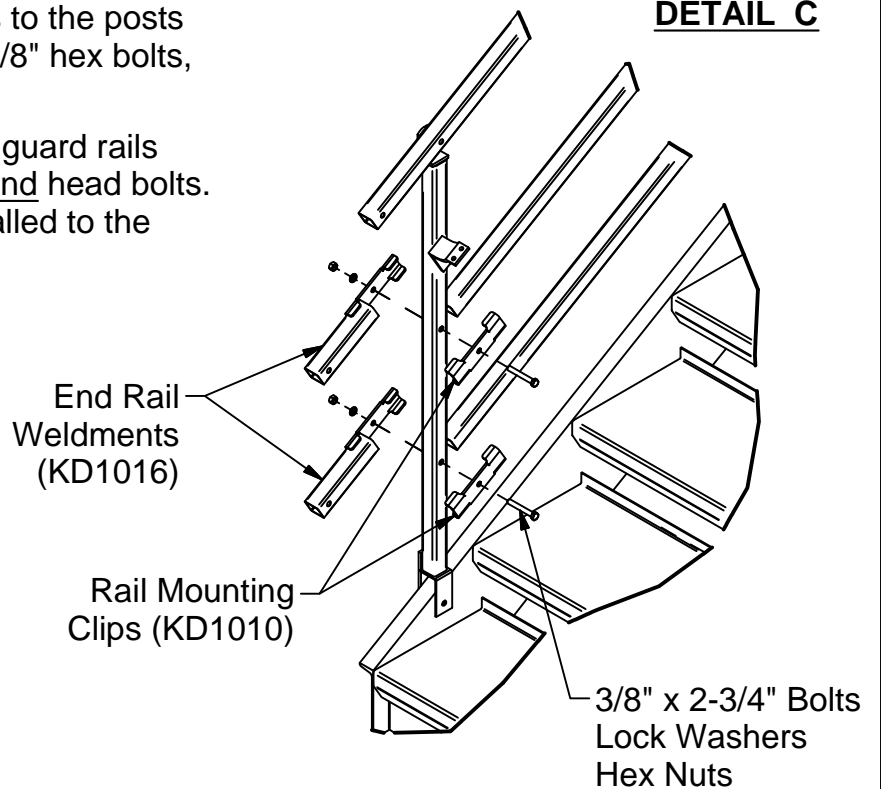
- The lower guard rails are to be attached to the two (2) lower sets of holes in the rail posts.



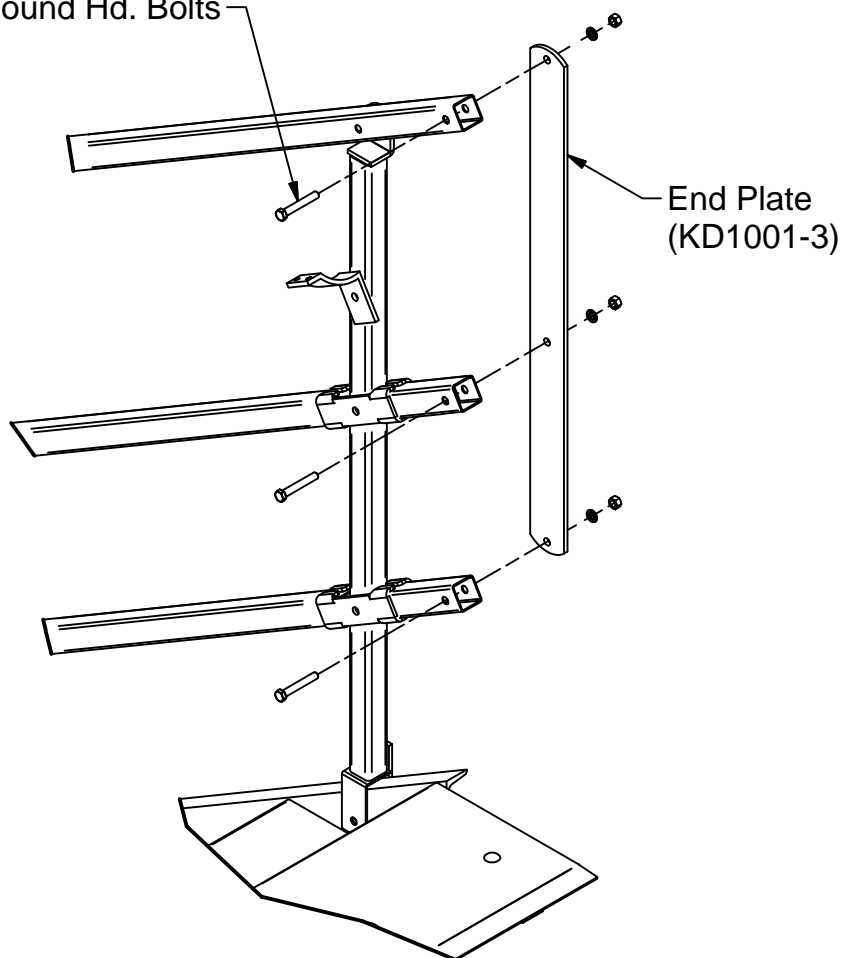
Installation Procedure

10. Attach the end rail weldments to the posts at each end of the stair with 3/8" hex bolts, see Detail C.
11. Connect the upper and lower guard rails with end plates using 3/8" round head bolts. The end plates are to be installed to the outside of the rails.

DETAIL C



3/8" x 2-1/2" Round Hd. Bolts
Lock Washers
Hex Nuts



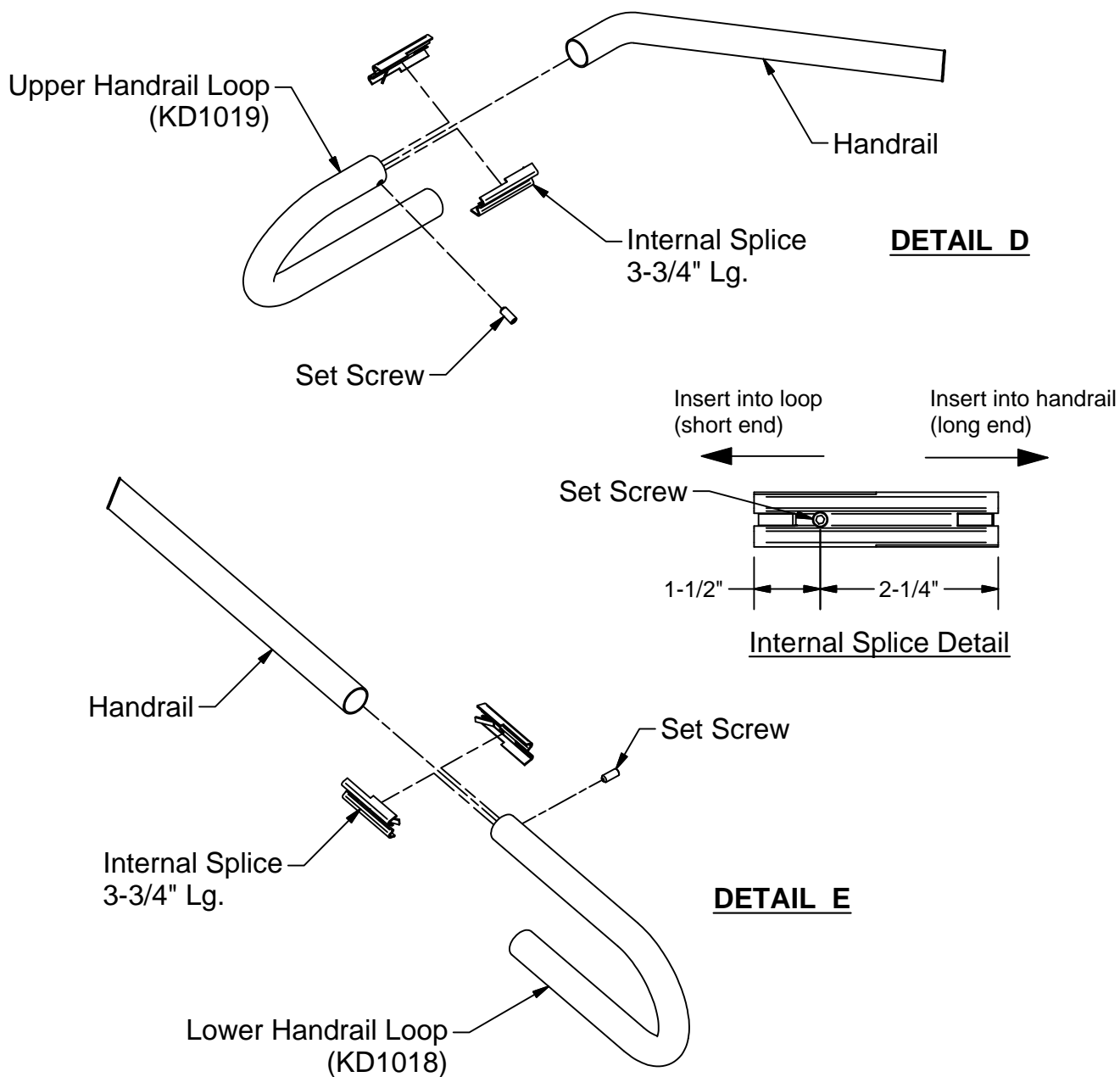
Installation Procedure

12. Attach handrail loops onto handrail prior to installing handrail onto stair.
13. Use the internal splice to secure upper loop to handrail, see Detail D. Slide both halves of splice into loop until threaded hole aligns with hole in loop, see Internal Splice Detail.
14. Install set screw through hole in loop, only hand tighten at this point.
15. Slide other end of splice into handrail.

NOTE

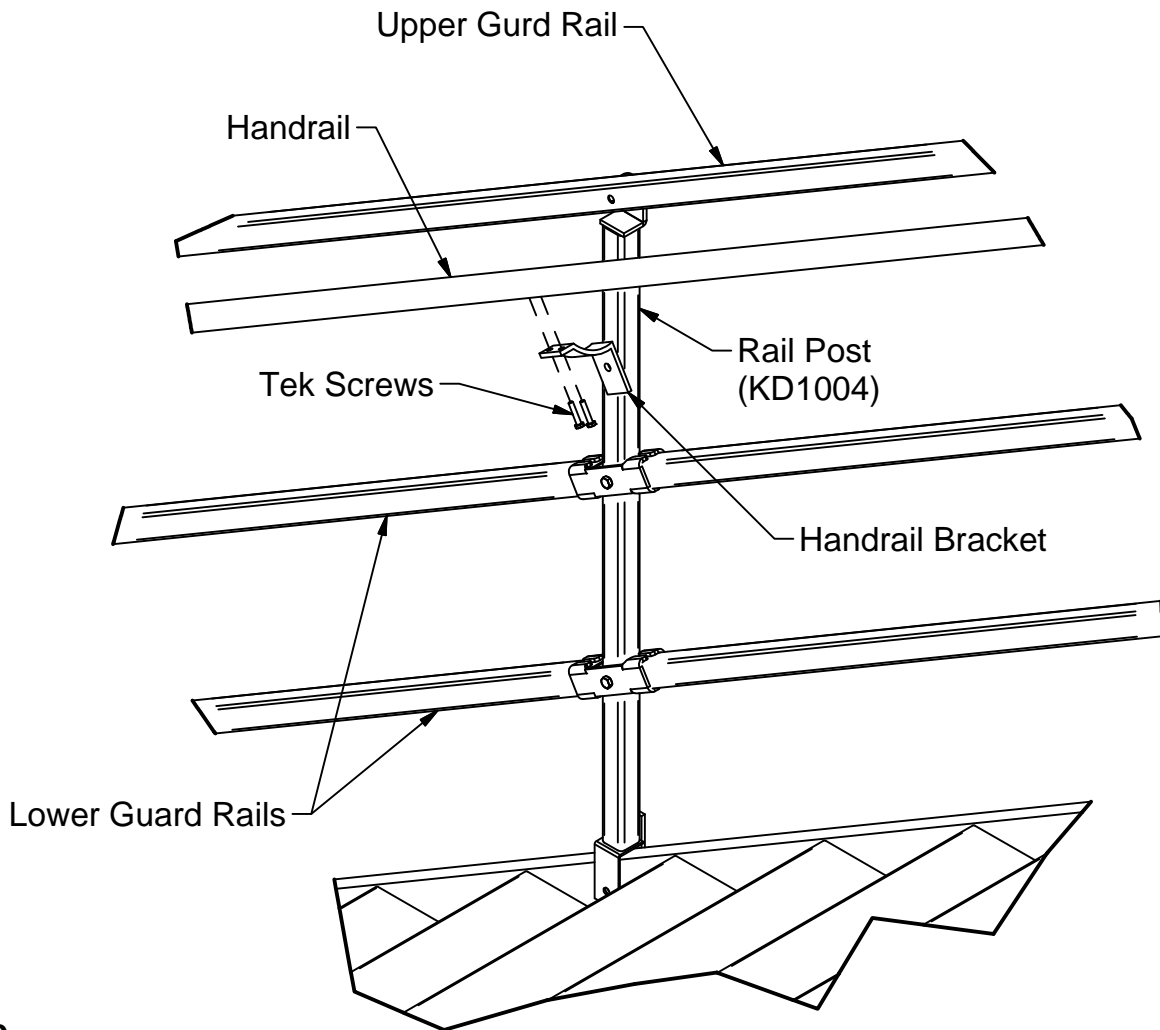
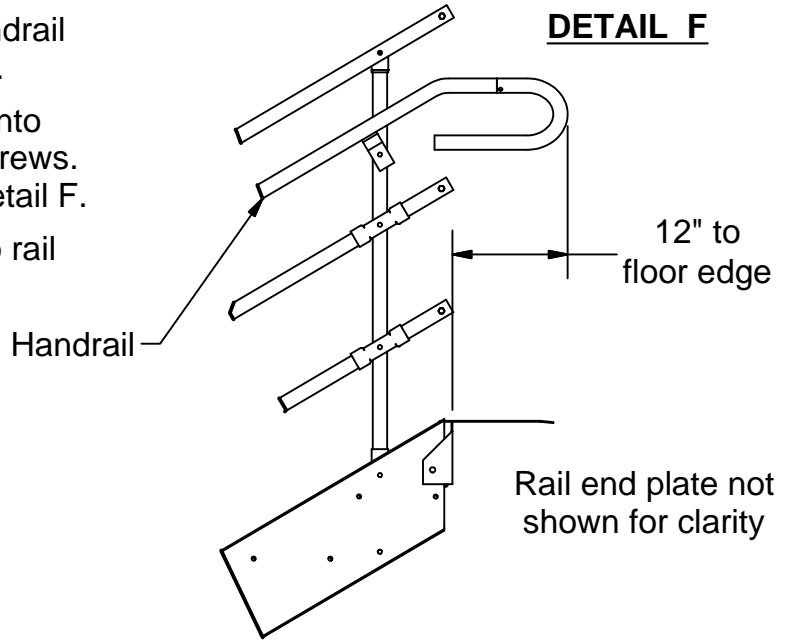
There are left & right hand loops, orientate loops so that the set screw is towards the bottom of the handrail.

16. Tighten set screw enough to prevent loop from falling off handrail. The set screw will be fully tightened after the handrail is installed onto the stair.
17. Use the internal splice to secure lower loop to handrail, see Detail E. Repeat above steps.



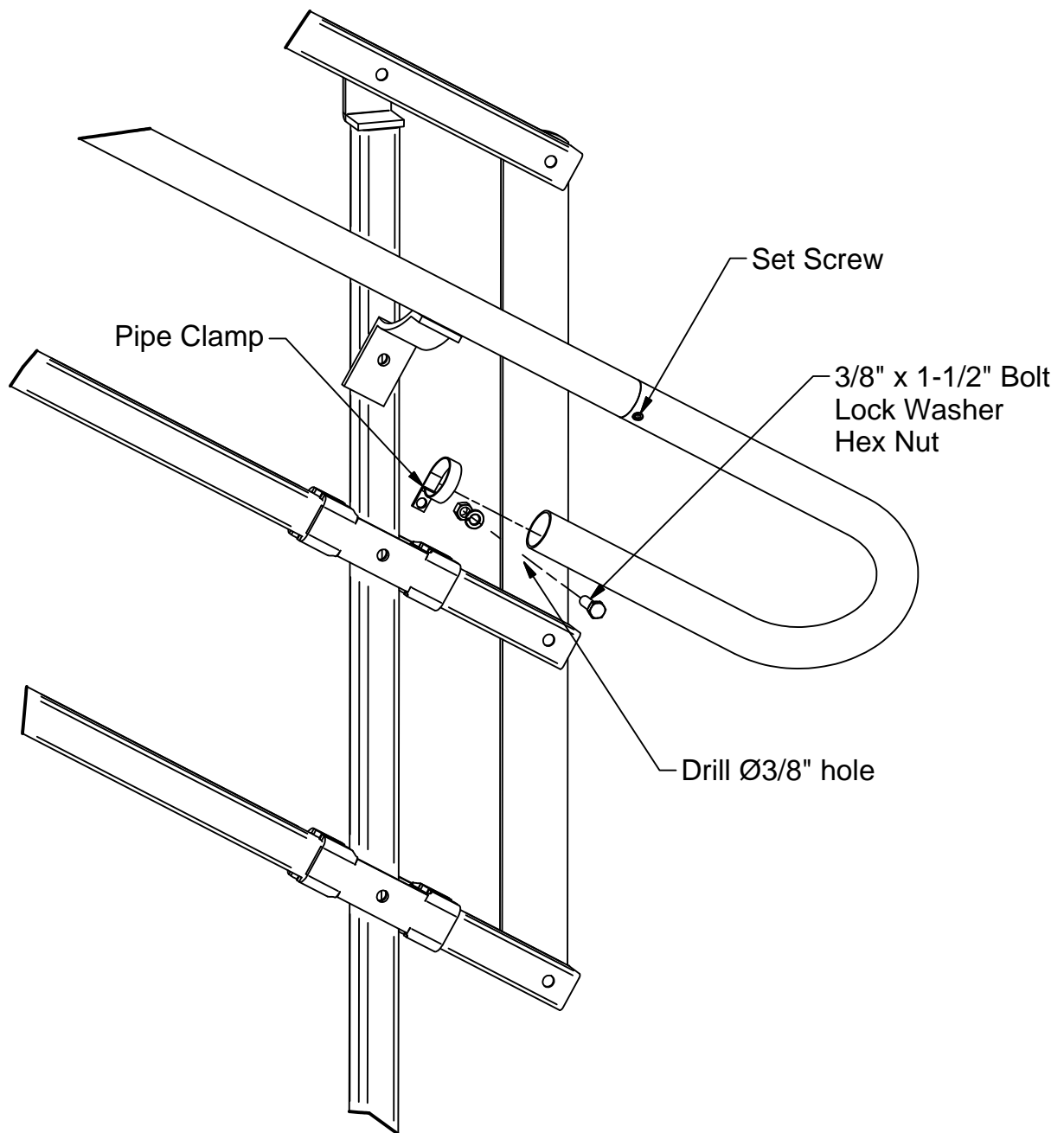
Installation Procedure

- 18. If not already done so install handrail brackets onto posts, see page 3.
- 19. Attach handrail with end loops onto brackets and secure with Tek screws. Position handrail as shown in Detail F.
- 20. Tighten bolts holding brackets to rail posts.



Installation Procedure

21. Slide pipe clamp onto handrail loop.
22. Ensure set screw on internal splice is loose and swivel handrail loop until it contacts the end plate.
23. Drill 3/8" diameter hole through the end plate. Attach pipe clamp with 3/8" hex bolt.
24. Tighten set screw.
25. Finish by capping the end of the loops with plastic caps.



Handrail Detail - Continuous Rail Option

26. Clamp inside handrail to stair prior to installing elbows, do not fasten with Tek screws. See Detail F on page 7 for position of handrails.

NOTE

Do not fasten inside handrail to brackets, handrail will need to be slid up or down to get proper position for elbows to align.

27. Use the internal splice to secure elbows to upper & lower handrails. Slide both halves of splice into elbow until threaded hole aligns with hole in elbow, note orientation of elbows.

28. Install set screw through hole in elbow, only hand tighten at this point.

29. Slide other end of splice into handrail.

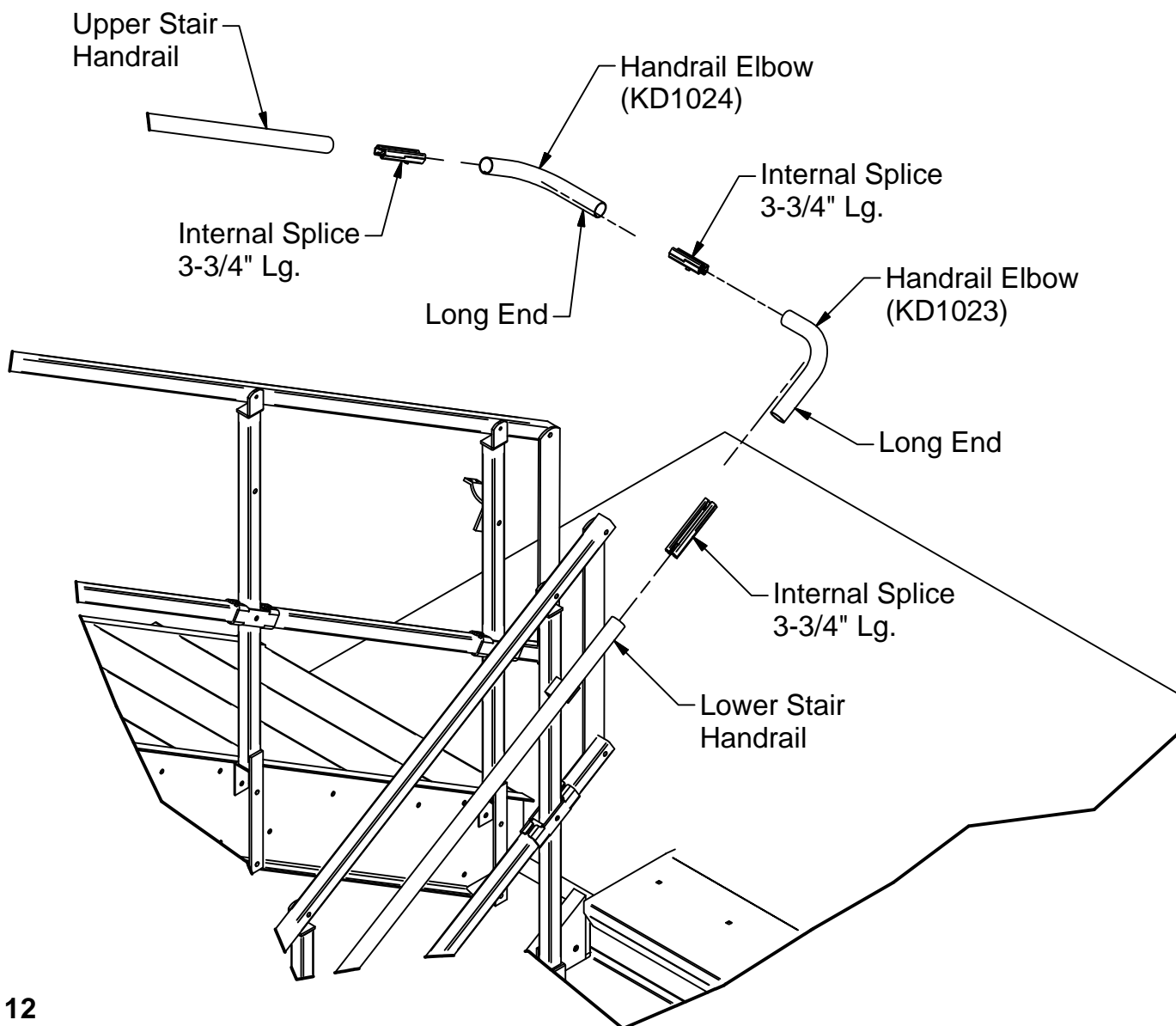
NOTE

Orientate elbows so that the set screw is underneath when assembled.

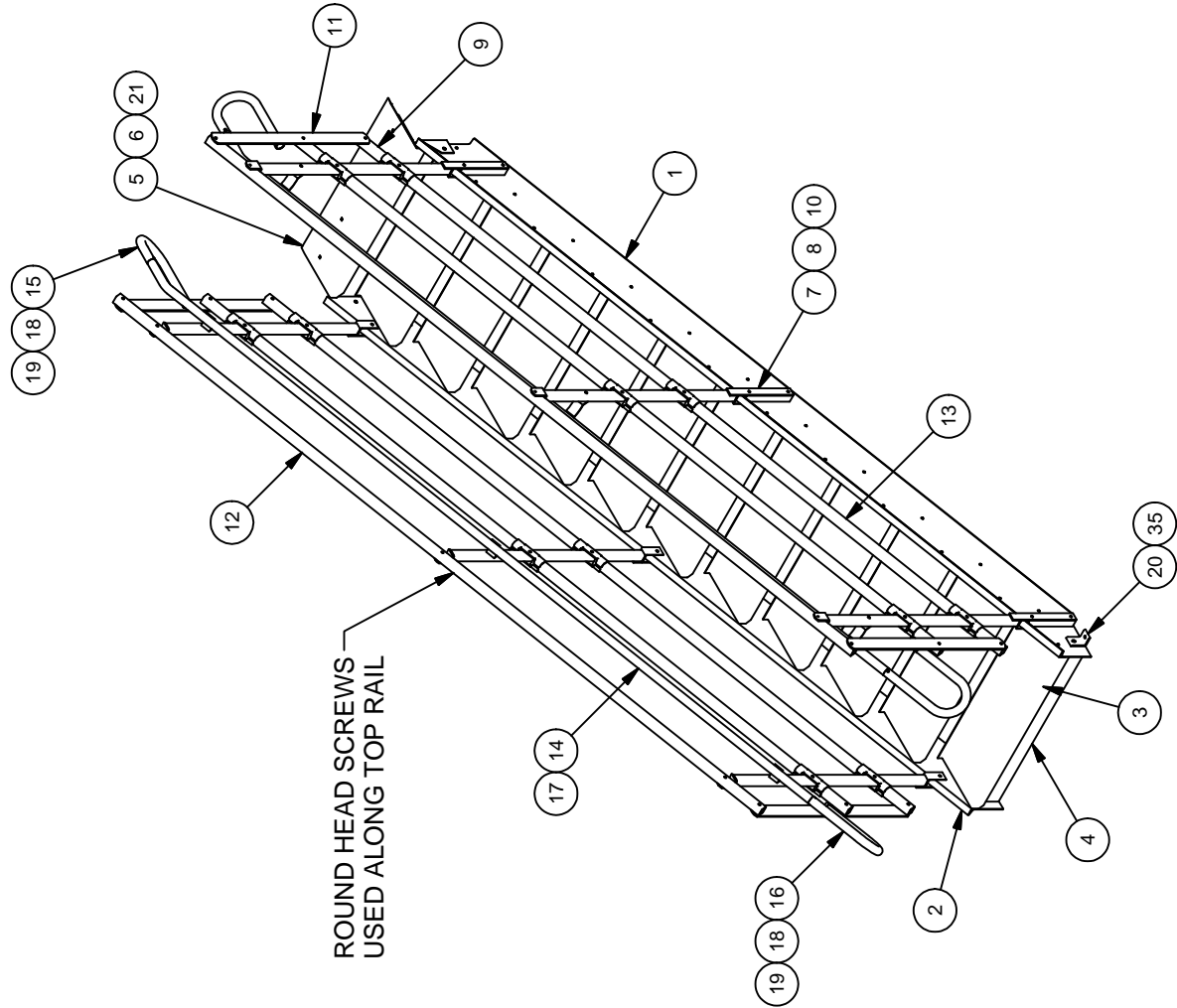
30. Use the internal splice between the two (2) elbows.


31. Tighten set screws on all splices.

32. Secure handrail to brackets on rail posts with Tek screws.



BILL OF MATERIALS			
ITEM	QTY	DESCRIPTION	PART #
1	1	STRINGER, R.H.	KDST-R
2	1	STRINGER, L.H.	KDST-L
3	VAR.	STAIR TREAD	KD1011/KD1012
4	1	BASE ENCLOSURE	KD1021
5	1	TOP TRANSITION PLATE	KD1008
6	4	BACKING PLATE	KD1022
7	VAR.	RAIL POST (3-RAIL)	KD1004-3
8	VAR.	RAIL POST SPACER	KD1010
9	8	END RAIL WELDMENT	KD1016
10	VAR.	RAIL MOUNTING CLIP	KD1000
11	4	RAIL END PLATE (3-RAIL)	KD1001-3
12	2	UPPER GUARD RAIL	
13	VAR.	LOWER GUARD RAIL TUBES	
14	2	HANDRAIL	
15	2	UPPER LOOP, HANDRAIL	KD1019
16	2	LOWER LOOP, HANDRAIL	KD1018
17	VAR.	HANDRAIL BRACKET	1978R
18	4	SINGLE SPLICE-LOCK, 3 3/4" LG.	3326-2
19	4	METAL LOOP CLAMP	
20	2	ANCHOR TAB	KD1020
21	4	BOLT, CARRIAGE, 3/8-16 UNC x 4"	
22	VAR.	HHCS, 3/8-16 x 1 1/2"	
23	VAR.	ROUND HD. SCREW, 3/8-16 x 2"	
24	VAR.	ROUND HD. SCREW, 3/8-16 x 2 1/4"	
25	VAR.	HHCS, 3/8-16 x 2 1/2"	
26	VAR.	HHCS, 3/8-16 x 2 3/4"	
27	VAR.	LOCK WASHER, 3/8"	
28	VAR.	FENDER WASHER, 3/8"	
29	VAR.	FLAT WASHER, 3/8"	
30	VAR.	HEX NUT, 3/8-16 UNC	
31	2	HHCS, 1/2-13 x 1 1/2"	
32	2	LOCK WASHER, 1/2"	
33	2	HEX NUT, 1/2"-13 UNC	
34	VAR.	TEK SCREW, 12-24 x 7/8"	
35	2	RAWL STUD, 3/8" x 3"	



DRN BY: BRT	DATE: 6/13/2011		KD2	JOB #:
REV:	REV DATE:			QTY:



KD2™ Series Knock-Down Stair WARRANTY

Wildeck KD2™ Series Knock-Down Stairs are warranted to be free of material defects and workmanship for a period of one (1) year. When properly installed, KD2™ Series Knock-Down Stairs are also warranted to meet OSHA 1910.24 safety requirements.

The warranty begins at time of shipment from Wildeck's factory. Labor to install, adjust, maintain or replace the warranted stair, or any component part, is not included.

This warranty is valid only if the Wildeck KD2™ Series Knock-Down Stair has been installed in complete accordance with Wildeck's Installation Instructions. Improprieties including but not limited to abuse, negligence, or failure to install, maintain or adjust the stair properly, will void the warranty.

The warranty is also voided if unauthorized parts, hardware or equipment are installed, or modifications are made to the Wildeck KD2™ Series Knock-Down Stair without prior written authorization. Wildeck reserves the right to change, at any time, the material, design or specifications of its products without obligation to subsequent purchases, or add improvements without making corresponding changes to products previously manufactured.

WILDECK SHALL NOT IN ANY EVENT BE LIABLE FOR ANY DAMAGES, WHETHER BASED ON CONTRACT, WARRANTY, NEGLIGENCE, STRICT LIABILITY OR OTHERWISE, INCLUDING WITHOUT LIMITATION ANY CONSEQUENTIAL, INCIDENTAL OR SPECIAL DAMAGES, ARISING WITH RESPECT TO THE EQUIPMENT OR ITS FAILURE TO OPERATE, EVEN IF WILDECK HAS BEEN ADVISED OF THE POSSIBILITY THEREOF.

WILDECK MAKES NO OTHER WARRANTY OR REPRESENTATION OF ANY KIND, EXCEPT THAT OF TITLE, AND ALL OTHER WARRANTIES, EXPRESSED OR IMPLIED, INCLUDING WARRANTIES OR MERCHANTABILITY AND FITNESS FOR A PARTICULAR PURPOSE, ARE HEREBY EXPRESSLY DISCLAIMED.

Job No. _____



P.O. Box 89 • 405 Commerce Street
Waukesha, WI USA 53186
262-549-4000 • 800-325-6939
FAX 262-549-3466 • info@wildeck.com
www.wildeck.com