



# RIDERLIFT RML QUOTATION REQUEST FORM

405 Commerce Street  
Waukesha, WI 53186  
262-549-4000  
800-325-6939  
Fax 262-549-7703  
[www.wildeck.com](http://www.wildeck.com)

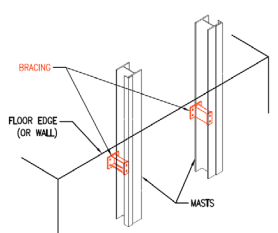
|                          |   |                       |
|--------------------------|---|-----------------------|
| Company Requesting Quote | Date of Request   | Project Name          |
| Person Requesting Quote  | Phone Number  | Ship To (City, State) |
| E-Mail Address           | <b>Opportunity/Quote Number</b><br><small>(Internal Use Only)</small> | Ship To (Zip)         |

|  |   |   |   |   |
|--|---|---|---|---|
| <b>Lift Capacity</b><br><br>2,500 lbs. | <b>Lift Height</b> (up to 14 feet max.)<br>____' ____"<br><b>Load Height</b><br>____' ____" | <b>Required Lift Clear Height</b><br><small>(measured from Upper Level)</small><br><br>86" (if lift height is less than 10')<br><br>110" (if lift height is 10' or greater) | <b>Site Voltage Available</b><br><br><input type="checkbox"/> 460, 3 phase <input type="checkbox"/> 230, 3 phase<br><input type="checkbox"/> 208, 3 phase<br><small>(Disconnect(s) by others, unless noted otherwise)</small> | <b>Color</b><br><br><input type="checkbox"/> Gray (standard)<br><input type="checkbox"/> Other: _____ |
|--|---|---|---|---|

|   |  |
|---|--|
| <p><b>Upper Level</b></p> <p><input type="checkbox"/> Enclosure<br/><input type="checkbox"/> Wall<br/><input type="checkbox"/> Open*</p> <div style="border: 1px solid black; width: 80px; height: 80px; margin: 0 auto; text-align: center; padding: 2px;">MASTS</div> <p><input type="checkbox"/> Enclosure    <input type="checkbox"/> Enclosure<br/><input type="checkbox"/> Wall            <input type="checkbox"/> Wall<br/><input type="checkbox"/> Open*            <input type="checkbox"/> Open*<br/><input type="checkbox"/> Gate                <input type="checkbox"/> Gate</p> <p style="text-align: center;"><input type="checkbox"/> Enclosure<br/><input type="checkbox"/> Wall<br/><input type="checkbox"/> Open*</p> <p style="text-align: center;"><small>*No floor this side</small></p> <p><b>Floor Mounted Gate</b><br/><small>(ties into Perimeter Guarding)</small></p> <p>Bi-Part Swing</p> | <p><b>Lower Level</b></p> <p><input type="checkbox"/> Enclosure<br/><input type="checkbox"/> Wall</p> <div style="border: 1px solid black; width: 80px; height: 80px; margin: 0 auto; text-align: center; padding: 2px;">MASTS</div> <p><input type="checkbox"/> Enclosure    <input type="checkbox"/> Enclosure<br/><input type="checkbox"/> Wall            <input type="checkbox"/> Wall<br/><input type="checkbox"/> Gate            <input type="checkbox"/> Gate</p> <p style="text-align: center;"><input type="checkbox"/> Enclosure<br/><input type="checkbox"/> Wall</p> <p><b>Floor Mounted Gate</b><br/><small>(ties into Perimeter Guarding)</small></p> <p>Bi-Part Swing</p> |
|---|--|

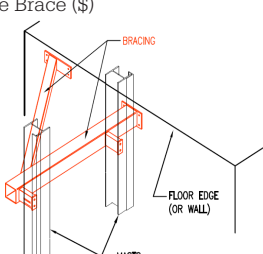
**Bracing Options (required)**

Straight Brace (standard)



Requires: Floor Edge or Wall, suitable for bracing, adjacent from masts. Best used through floor.

Angle Brace (\$)



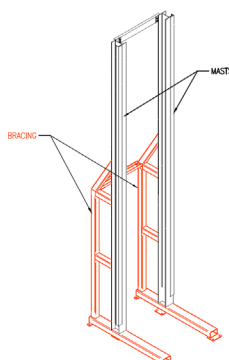
Requires: Floor Edge or Wall, suitable for bracing, perpendicular from masts. Best used at mezzanine edge.

|   |  |   |
|---|--|---|
| <p><b>Effective Carriage</b></p> <div style="border: 1px solid black; width: 80px; height: 80px; margin: 0 auto; text-align: center; padding: 2px;">MASTS</div> <p style="font-size: small;">y<br/>6' max</p> <p style="font-size: small;">x<br/>6' max</p> | <p><b>Carriage Mounted Guarding</b><br/>80" high sheet metal</p> <p><b>Loading Transition</b></p> <p><input type="checkbox"/> Ramp<br/><input type="checkbox"/> Pit (5")<br/><input type="checkbox"/> None</p> | <p><b>Special Options</b></p> <p><input type="checkbox"/> Key Lock<br/>Push Button Stations<br/><small>(required when untrained personnel has access to lift)</small></p> <p><input type="checkbox"/> Digital Lock<br/>Push Button Stations<br/><small>(required when untrained personnel has access to lift)</small></p> <p><input type="checkbox"/> Spliced masts<br/><small>(field welding required)</small></p> |
|---|--|---|

**Comments:**

---

Freestanding (\$\$)



Best used when there are no suitable bracing opportunities.